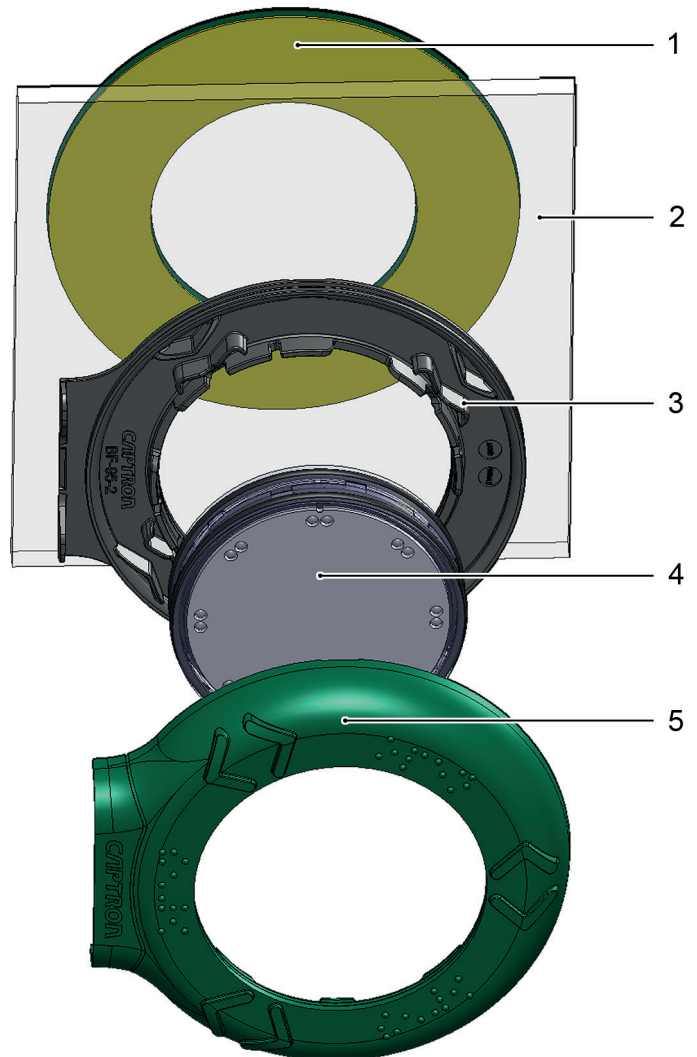


The new CHT5 and CHT51 SENSORswitches

- Significantly simplified assembly, complete without MH-95 mounting aid
- New BF-95-2 mounting flange enables easy positioning directly on the profile
- The new AR5-2X# cover color ring is downward compatible with the current BF-95 mounting flange
- TSI-PRM certified (variant dependent)
Regulation (EU) 1300/2014
- No change in external dimensions

1	Position color ring
2	Glass pane CHT5 single glass CHT51 double glass
3	BF-95-2 mounting flange mountable without MH-95 mounting aid
4	SENSORswitch
5	AR5-2X# cover color ring downward compatible, new design



Angle variations



Color variations



RAL 5015



RAL 6024



RAL 3020



RAL 1023



RAL 7042

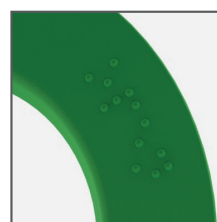


RAL 9017




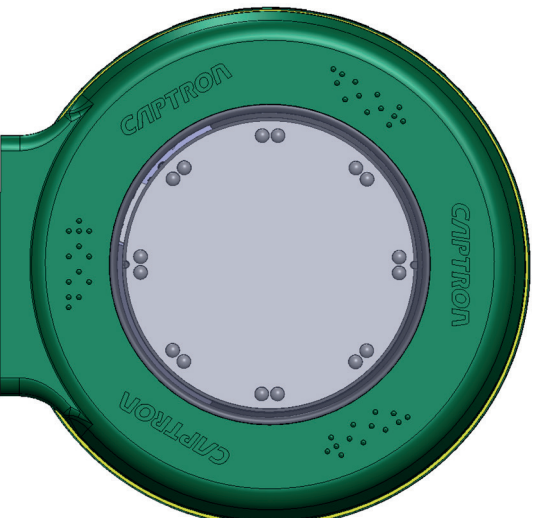
Possible raised pictograms



Braille characters



The new CHT5 and CHT51 SENSORswitches

<p>CHT5-2 and CHT51-2 New design</p>	<p>CHT5-1 and CHT51-1 Current design</p>
<p>Deliverable as of: 03/2017</p>	<p>Deliverable by: 15.12.2019</p>
<ul style="list-style-type: none"> • Significantly simplified assembly, complete without MH-95 mounting aid • New BF-95-2 mounting flange enables easy positioning directly on the profile 	<ul style="list-style-type: none"> • Current BF-95 mounting flange, an exact positioning on the profile is only possible with the MH-95 mounting aid 
<ul style="list-style-type: none"> • The new AR5-2X# cover color ring is downward compatible with the current BF-95 mounting flange 	<ul style="list-style-type: none"> • The current AR5-1X# cover color ring is not compatible with the new BF-95-2 mounting flange
	
<ul style="list-style-type: none"> • TSI-PRM certified (variant dependent) Pursuant to Directive 1300/2014 • No change in external dimensions 	

The new CHT5 and CHT51 SENSORswitches

Technical data	CHT5 and CHT51 at 24 V and 20 °C		CHT5 at 110 V and 20 °C
	Operating voltage	16.8...32 V	
Load current	Max. 400 mA		Max. 15 mA
Output	PNP-NO		
Output impulse	~ 1 s (depending on the actuation duration)		
LED 1	16 green LEDs		
LED 2	16 red LEDs		
Reverse polarity protection	Protects all cables		
Short circuit protection	Protected against short circuit and overload		
Voltage drop	Max. 3 V at 400 mA	Max. 3 V at 10 mA	
Current consumption	Max. 30 mA at 24 V	Max. 15 mA at 110 V	
Operating temperature	-30...+80 °C		-25...+70 °C
Protection degree IP	Front and rear IP69K, IP20 connector		
Type of operation	Capacitive		
Operation force	No operation force required		
Connection	JST Connector		

Dimensioned drawing CHT5 and CHT51

